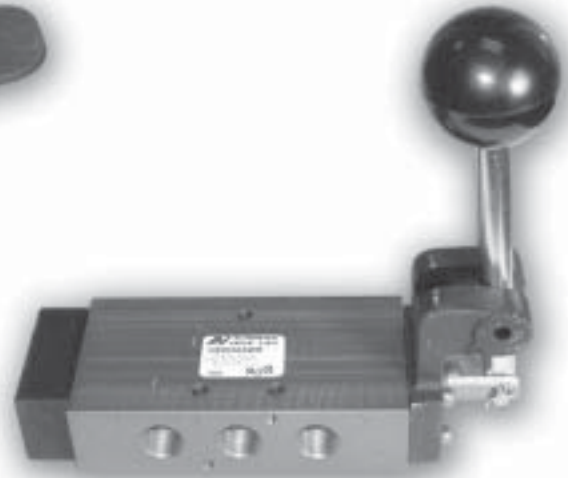
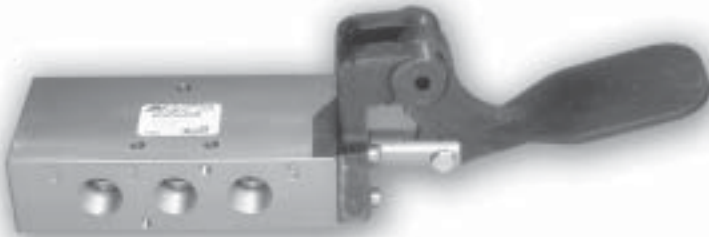
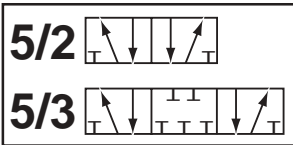


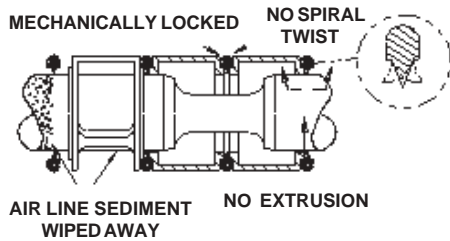
ISO 9001  
**AV** **AUTOMATIC**  
**VALVE**



**COMPACT SPOOL VALVES**



# DESIGN FEATURES



## VALVES

- Balanced spool construction allows ports to be plugged for 2 or 3 way function, or restricted for inexpensive cylinder exhaust speed control. For selector or dual pressure applications, consult the Factory.
- Inline or manifold mount: flexible, efficient.
- Wide variety of options and operators available.
- Specific application needs? Consult the Factory. We will build it for you.

### TAPERED TEE-SEAL ..... Eats Dirt

- Bi-directional tapered Tee-Seal flexes to clean spool. Eliminates Monday morning sticking problems.
- Tested tough and proven reliable according to SAE specifications: Rust and water injected every 864,000 cycles for 20 million cycles.

### SOLENOID ... Guaranteed Against Burnout

- Three-way pilot uses full air line pressure to shift the valve.
- Pilot is internally supplied when the pressure at port one is 35 to 150 PSIG (240 to 1030 kPa).
- Coil is hermetically sealed as an integral watertight molded unit.
- Intrinsically-safe and explosion-proof versions available.
- Push non-locking override (Extended turn and turn lock available).

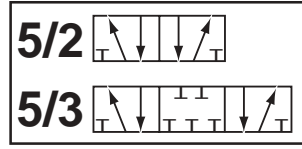
### PRODUCTS CERTIFIED TO

- CSA - (C22.2)
- UL - (STD 429)
- ATEX - (2018x)
- PTB - (EEExmIIT5) (EEExiaIICT6)
- CE - (73/23/EEC), (89/336/EEC)

## INDEX

	Page
Design Features	A2
Specifications	A3
Model Number Chart	A3
Standard Solenoid Models Dimensional Information	A4 A5
Air Pilot Models Dimensional Information	A6 A7
Mechanical Models Dimensional Information	A8 A9
Manual Models Dimensional Information	A10/A11 A12/A13
Manifolds Dimensional Information	A14 A15
Accessories, Options	A16
Electrical Information	A17
Service Information	A18

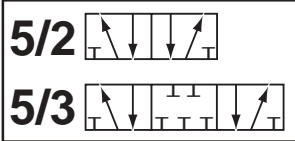
# SPECIFICATIONS



VALVE OPERATION			
<p><b>L07</b> <b>L20</b></p>		<p><b>L65</b></p>	
<p><b>5/2 SINGLE</b> - 4 way 2 position single operator valves shift, apply pressure from port 1 to 4, and exhaust pressure from port 2 to 3 when a maintained signal is applied to operator 1-4. Valves reset, apply pressure from port 1 to 2, exhaust pressure from port 4 to 5 when the signal is removed.</p>		<p><b>5/3 BLOCK</b> - 4 way 3 position blocked center valves operate like 5/2 double valves except shift when a maintained signal is applied to either 1-2 or 1-4. Valves reset to center position when signal is removed with all ports blocked.</p>	
<p><b>5/2 DOUBLE</b> - 4 way 2 position double operator valves shift, apply pressure from port 1 to 4, and exhaust pressure from port 2 to 3 when a momentary signal is applied to operator 1-4. Valves shift, apply pressure from port 1 to 2, and exhaust pressure from port 4 to 5 when a momentary signal is applied to operator 1-2.</p>		<p><b>5/3 EXHAUST</b> - 4 way 3 position exhaust center valves operate like 5/2 double valves except shift when a maintained signal is applied to either 1-2 or 1-4. Valves reset to center position when signal is removed with port 2 open to 3, port 4 open to 5, and port 1 blocked.</p>	
<p><b>5/3 PRESURE</b> - 4 way 3 position pressure center valves operate like 5/2 double valves except shift when a maintained signal is applied to either 1-2 or 1-4. Valves reset to center position when signal is removed with port 1 open to ports 2 and 4, and ports 3 and 5 are blocked.</p>			
<p><b>OPERATING TEMPERATURES</b></p>		<p><b>SOLENOID PILOT OPERATED</b></p> <p>Standard High Temp Coil (Option CT)</p>	
		<p><b>TREATED BUNA-N SEALS (TREATED NBR, Standard)</b></p> <p>-18°C to +52°C (0°F to +125°F) -18°C to +82°C (0°F to +180°F)</p>	
		<p><b>FLUOROELASTOMER SEALS (FPM (FKM), Option A)</b></p> <p>-18°C to +52°C (0°F to +125°F) -18°C to +82°C (0°F to +180°F)</p>	
<p><b>OPERATING PRESSURES</b></p>		<p><b>SOLENOID PILOT OPERATED</b></p> <p>Standard 2 Position Standard 3 Position External Pilot (Option B)</p>	
		<p><b>INLET PORT</b></p> <p>240 - 1030 kPa (35 - 150 PSIG) 345 - 1030 kPa (50 - 150 PSIG) Vacuum - 240 kPa (Vacuum - 35 PSIG)</p>	
		<p><b>EXTERNAL PILOT PORT</b></p> <p>Not Required Not Required 240 - 1030 kPa (35 - 150 PSIG)</p>	
<p><b>FILTRATION AND LUBRICATION</b></p>		<p><b>MEDIA - AIR OR INERT GAS</b></p> <p>Lubrication of Automatic Valve products is not required but is recommended to maximize service life. Oils should be compatible with seal material, have an ISO 32 viscosity, and have an aniline range of 82°C (180°F) and 99°C (210°F). Refer to Maintenance section of catalog for recommended lubricants.</p> <p>Filter to 50 microns or better. For temperatures below 40°F, air must be dry to prevent formation of ice.</p>	

## MODEL NUMBER CHART

SERIES	BODY TYPE	PORT SIZE	FUNCTION	BODY DESIGN	OPERATOR 1	CENTER OPERATOR	OPERATOR 2	VOLTAGE	OPTIONS
L07	0 INLINE	2 1/8 3 1/4	A 4 WAY 2 POSITION	A SINGLE	A AIR PILOT	D 3 POSITION SPRING	A AIR PILOT	AA 110/50, 120/60 AB 220/50, 240/60, 125VDC DA 22/50, 24/60, 12VDC DB 24VDC	A FLUROELASTOMER SEALS B EXTERNAL PILOT CONNECTION C CONDUIT COIL CT CONDUIT COIL HIGH TEMPERATURE D DUSTPROOF G 18" FLYING LEADS L LOW WATT COIL S STAINLESS STEEL BODY (L20-1/4" ONLY) SS 316 STAINLESS STEEL BODY (L20-1/4" ONLY) W G THREADS Y EXPLOSION-PROOF COIL (CSA, FM) Z EXPLOSION-PROOF COIL (ATEX, PTB)
			B 4 WAY 2 POSITION METAL	B DOUBLE	F HAND LEVER - LINE G HAND LEVER - MANIFOLD I PALM BUTTON J CAM K FOOT PEDAL L FOOT TREADLE V INTRINSICALLY-SAFE SOLENOID W STANDARD SOLENOID		C 3 POSITION SPRING MANUAL M 2 POSITION DETENT MANUAL N 3 POSITION DETENT MANUAL R 2 POSITION SPRING V INTRINSICALLY-SAFE SOLENOID W STANDARD SOLENOID		
			C 4 WAY 3 POSITION BLOCK						
			D 4 WAY 3 POSITION EXHAUST						
			E 4 WAY 3 POSITION PRESSURE						
L20		3 1/4 4 3/8							1 PUSH TURN LOCKING OVERRIDE 2 EXTENDED TURN LOCKING OVERRIDE
L65		6 3/4 7 1							



# STANDARD SOLENOID MODELS



L07



L20

## SINGLE SOLENOID



L65

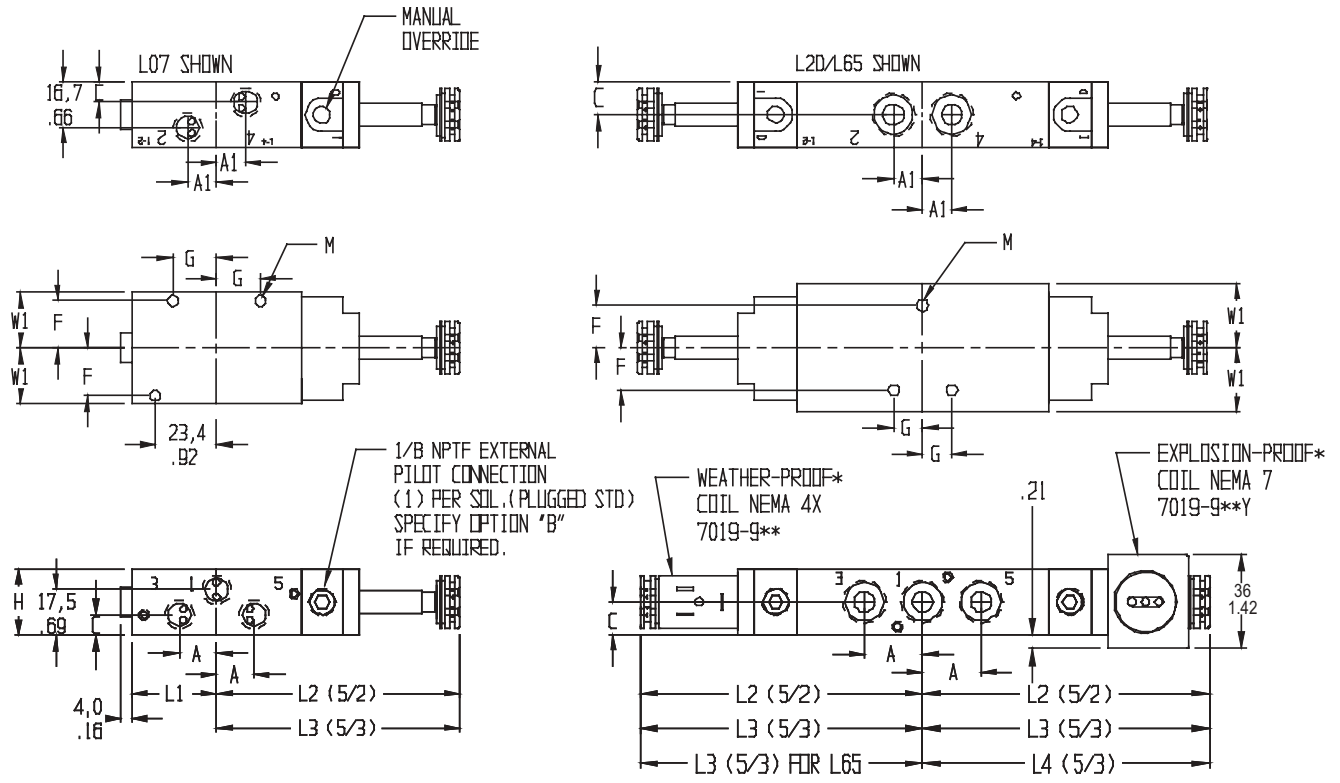
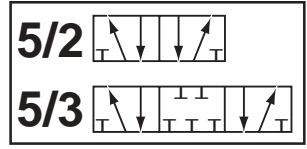
## SINGLE SOLENOID

# MODEL NUMBERS

SERIES	PORT SIZE		Cv (l/min)	5/2		5/3			BODY MATERIAL	SEAL MATERIAL	Kg (LB)
				SINGLE	DOUBLE	BLOCK	EXHAUST	PRESSURE			
L07	1/8		0.7 (690)	L0702AAWR*	L0702ABWW*	L0702CBWDW*	L0702DBWDW*	L0702EBWDW*	ALUMINUM	NBR	.3 (.6)
	1/4 (1,2,4)	1/8 (3,5)		L0703AAWR*	L0703ABWW*	L0703CBWDW*	L0703DBWDW*	L0703EBWDW*			
L20	1/4		1.8 (1770)	L2003AAWR*	L2003ABWW*	L2003CBWDW*	L2003DBWDW*	L2003EBWDW*	ALUMINUM	NBR	.5 (.9)
	3/8		2.0 (1970)	L2004AAWR*	L2004ABWW*	L2004CBWDW*	L2004DBWDW*	L2004EBWDW*			
L65	3/4		9.0 (8860)	L6506BAWR*	L6506BBWW*	L6506CBWDW*	L6506DBWDW*	L6506EBWDW*	ALUMINUM	NBR	1.86 (4.1)
	1 (1,2,4)	3/4 (3,5)	9.5 (9350)	L6507BAWR*	L6507BBWW*	L6507CBWDW*	L6507DBWDW*	L6507EBWDW*			

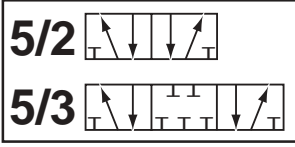
\*Coils sold separately. Refer to Electrical Section for selection.

# DIMENSIONAL INFORMATION



SERIES	A	A1	C	F	G	H	L1	L2	L3	L4	M	W1
L07	14,3 .56	7,9 .31	7,9 .31	18,3 .72	16,9 .66	25,4 1.00	32,3 1.27	92,7 3.65	92,7 3.65	-	4,0 .16	21,0 .83
L20	22,2 .88	11,1 .44	12,7 .50	16,1 .64	10,9 .43	25,4 1.00	48,2 1.90	108 4.25	108 4.25	-	4,4 .17	24,6 .97
L65	50,8 2.00	25,4 1.00	28,6 1.12	23,4 .92	25,4 1.00	57,2 2.25	117 4.61	175 6.88	175 6.88	219 8.63	9,14 .35	36,5 1.44

Units of Measure: Top - mm, Bottom - inches



# AIR PILOT MODELS



L07



L20

**SINGLE**



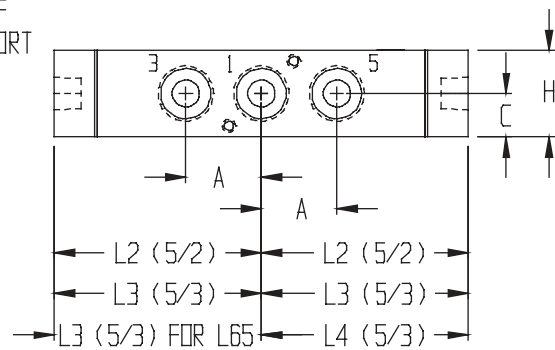
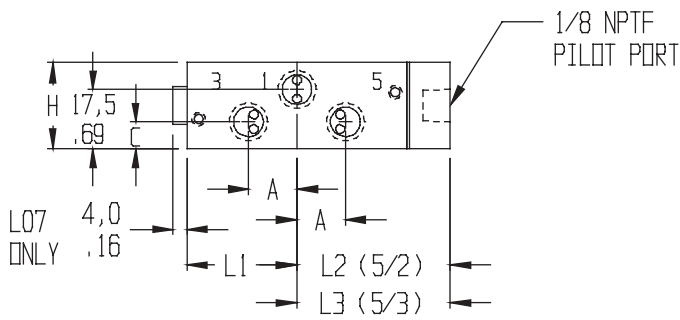
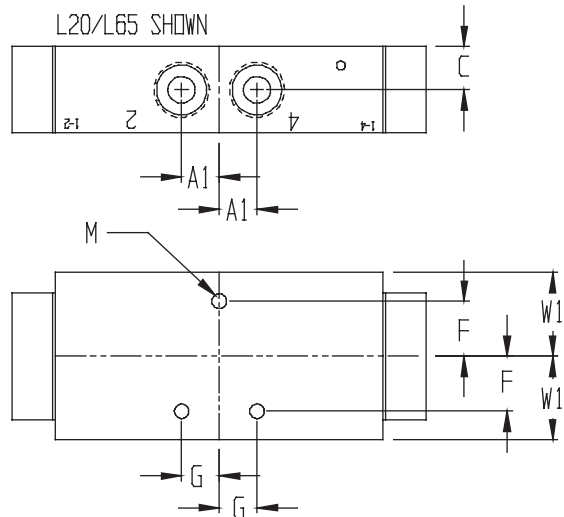
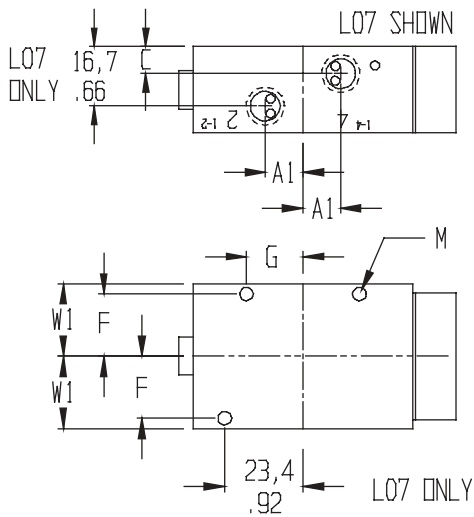
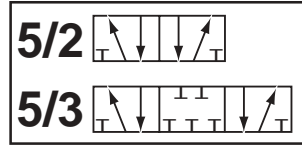
L65

**DOUBLE**

## MODEL NUMBERS

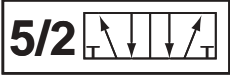
SERIES	PORT SIZE		Cv (l/min)	OPERATOR	5/2		5/3			BODY MATERIAL	SEAL MATERIAL	Kg (LB)
					SINGLE	DOUBLE	BLOCK	EXHAUST	PRESSURE			
L07	1/8		0.7 (690)	AIR PILOT	L0702AAAR	L0702ABAA	L0702CBADA	L0702DBADA	L0702EBADA	ALUMINUM	NBR	0,3 (.6)
	1/4 (1,2,4)	1/8 (3,5)			L0703BAAR	L0703ABAA	L0703CBADA	L0703DBADA	L0703EBADA			
L20	1/4		1.8 (1770) 2.0 (1970)	AIR PILOT	L2003AAAR	L2003ABAA	L2003CBADA	L2003DBADA	L2003EBADA	ALUMINUM	NBR	0,5 (.9)
	3/8				L2004AAAR	L2004ABAA	L2004CBADA	L2004DBADA	L2004EBADA			
L65	1 (1,2,4)	3/4 (3,5)	9.5 (9350)	AIR PILOT	L6507BAAR	L6507BBAA	L6507CBADA	L6507DBADA	L6507EBADA	ALUMINUM	NBR	1,86 (4.1)

# DIMENSIONAL INFORMATION



SERIES	A	A1	C	F	G	H	L1	L2	L3	L4	M	W1
L07	14,3 .56	7,9 .31	7,9 .31	18,3 .72	16,9 .66	25,4 1.00	32,3 1.27	45,0 1.77	45,0 1.77	-	4,0 .16	21,0 .83
L20	22,2 .88	11,1 .44	12,7 .50	16,1 .64	10,9 .43	25,4 1.00	48,2 1.90	61 2.40	61 2.40	-	4,4 .17	24,6 .97
L65	50,8 2.00	50,8 2.00	28,6 1.12	23,4 .92	25,4 1.00	57,2 2.25	115,9 4.56	129 6.81	129 6.81	217 8.56	9,14 .35	36,5 1.44

Units of Measure: Top - mm, Bottom - inches



# MECHANICAL MODELS



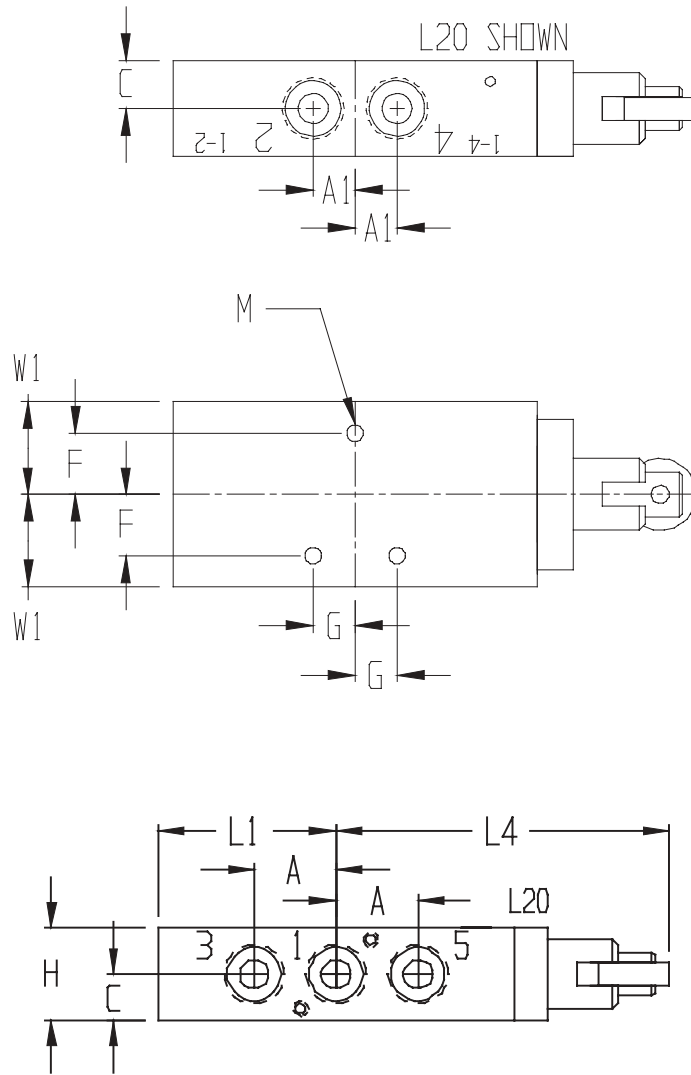
**CAM ROLLER**

## MODEL NUMBERS

SERIES	PORT SIZE	Cv (l/min)	OPERATOR	5/2	BODY MATERIAL	SEAL MATERIAL	Kg (LB)
				SINGLE			
L20	1/4	1.8 (1770)	CAM ROLLER	L2003AAJR	ALUMINUM	NBR	0,3 (.7)
	3/8	2.0 (1970)		L2004AAJR			



# DIMENSIONAL INFORMATION



SERIES	A	A1	C	F	G	H	L1	L4	M	W1
<b>L20</b>	22,2 .88	11,1 .44	12,7 .50	16,1 .64	10,9 .43	25,4 1.00	48,2 1.90	90,4 3.56	4,4 .17	24,6 .97

Units of Measure: Top - mm, Bottom - inches



## MANUAL MODELS



FOOT PEDAL



FOOT TREADLE



HAND LEVER  
(LINE MOUNTED)



PALM BUTTON

## MODEL NUMBERS (4 WAY 2 POSITION)

SERIES	PORT SIZE	Cv (l/min)	OPERATOR	5/2		BODY MATERIAL	SEAL MATERIAL	Kg (LB)
				DETENTED	SPRING RETURN			
L20	1/4	1.8 (1770)	FOOT PEDAL*	-	L2003AAKR	ALUMINUM	NBR	0.7 (1.5)
			FOOT TREADLE	L2003BALM	L2003AALR			
			HAND LEVER LINE MOUNTED	L2003BAFM	L2003AAFR			
			HAND LEVER MANIFOLD MOUNTED	L2003BAGM	L2003AAGR			
			PALM BUTTON	L2003BAIM	L2003AAIR			
	3/8	2.0 (1970)	FOOT PEDAL*	-	L2004AAKR	ALUMINUM	NBR	0.7 (1.5)
			FOOT TREADLE	L2004BALM	L2004AALR			
			HAND LEVER LINE MOUNTED	L2004BAFM	L2004AAFR			
			HAND LEVER MANIFOLD MOUNTED	L2004BAGM	L2004AAGR			
			PALM BUTTON	L2004BAIM	L2004AAIR			

\*Guard sold separately - A8016-137

# MANUAL MODELS



**FOOT TREADLE**



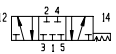
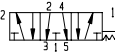
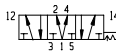
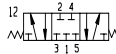


**HAND LEVER  
(LINE MOUNTED)**

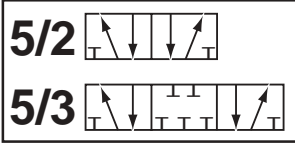


**PALM BUTTON**

## MODEL NUMBERS

(4 WAY 3 POSITION)

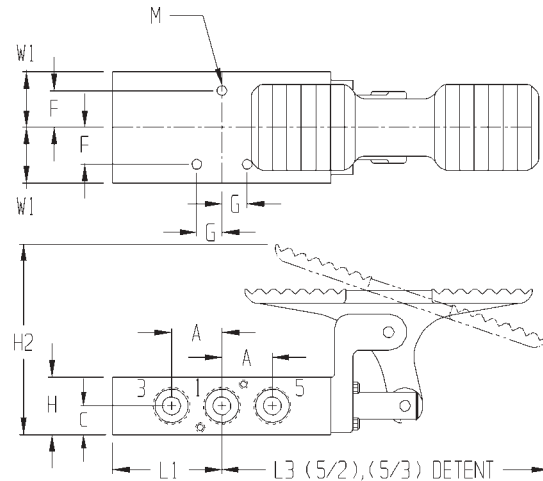
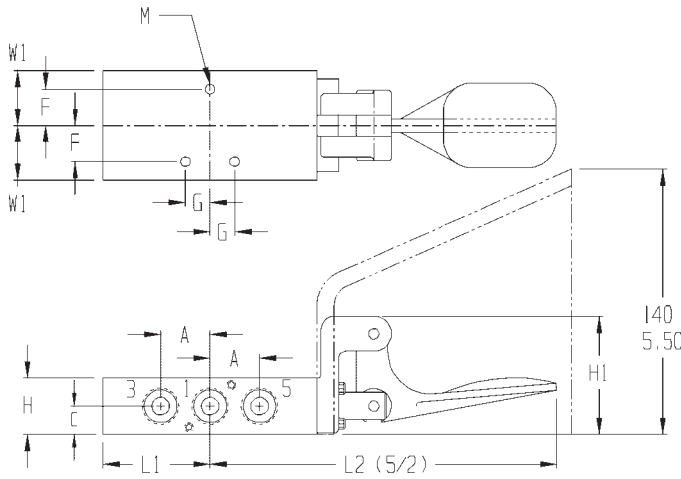
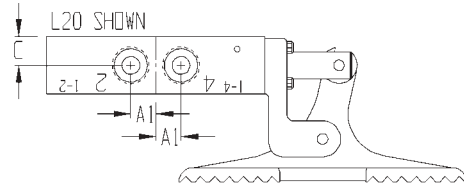
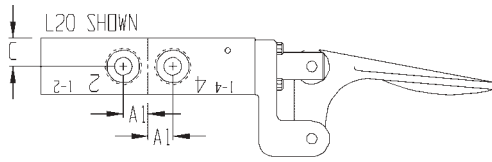
SERIES	PORT SIZE	Cv (l/min)	OPERATOR	5/3						BODY MATERIAL	SEAL MATERIAL	Kg (LB)
												
				DETENTED 5/3			SPRING RETURN 5/3					
				BLOCK	EXHAUST	PRESSURE	BLOCK	EXHAUST	PRESSURE			
L20	1/4	1.8 (1770)	FOOT TREADLE	L2003CALN	L2003DALN	L2003EALN	L2003CBLC	L2003DBLC	L2003EBLC	ALUMINUM	NBR	0.7 (1.5)
			HAND LEVER LINE MOUNTED	L2003CAFN	L2003DAFN	L2003EAFN	L2003CBFC	L2003DBFC	L2003EBFC			
			HAND LEVER MANIFOLD MOUNTED	L2003CAGN	L2003DAGN	L2003EAGN	L2003CBGC	L2003DBGC	L2003EBGC			
			PALM BUTTON	L2003CAIN	L2003DA IN	L2003EA IN	L2003CB IC	L2003DB IC	L2003EB IC			
	3/8	2.0 (1970)	FOOT TREADLE	L2004CALN	L2004DALN	L2004EALN	L2004CBLC	L2004DBLC	L2004EBLC	ALUMINUM	NBR	0.7 (1.5)
			HAND LEVER LINE MOUNTED	L2004CAFN	L2004DAFN	L2004EAFN	L2004CBFC	L2004DBFC	L2004EBFC			
			HAND LEVER MANIFOLD MOUNTED	L2004CAGN	L2004DAGN	L2004EAGN	L2004CBGC	L2004DBGC	L2004EBGC			
			PALM BUTTON	L2004CAIN	L2004DAIN	L2004EAIN	L2004CBIC	L2004DBIC	L2004EBIC			



# DIMENSIONAL INFORMATION

## FOOT PEDAL

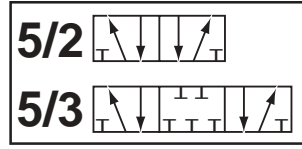
## FOOT TREADLE



DESCRIPTION	L20
GUARD - FOOT PEDAL	A8016-137

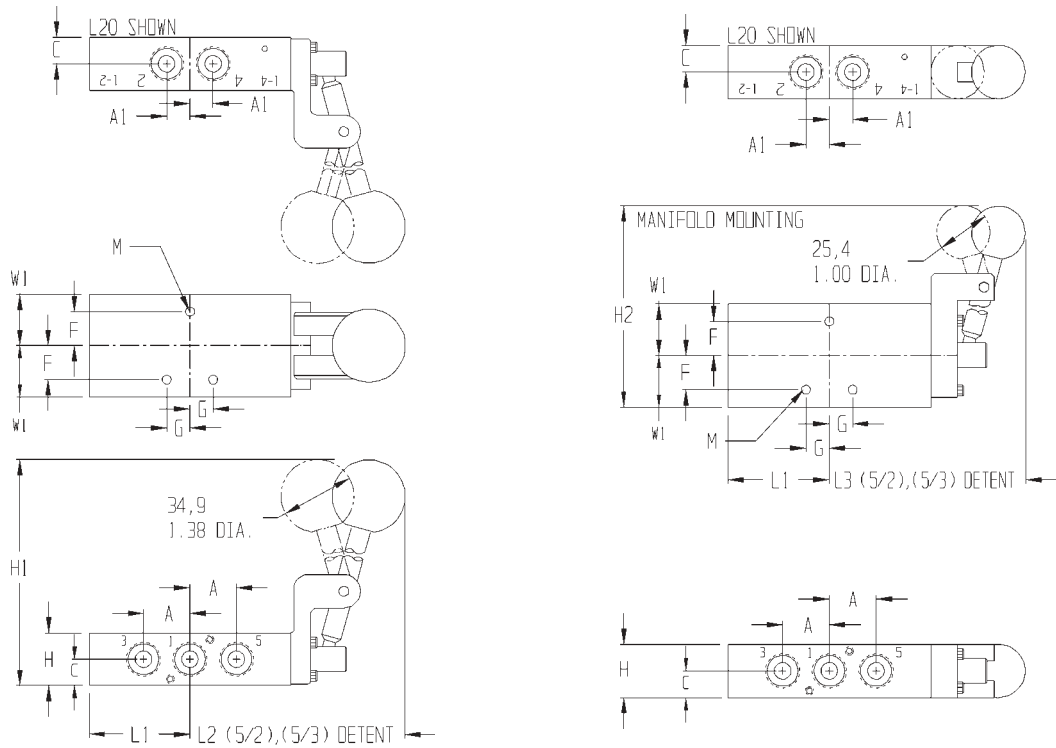
SERIES	A	A1	C	F	G	H	H1	H2	L1	L2	L3	M	W1
L20	22,2 .88	11,1 .44	12,7 .50	16,1 .64	10,9 .43	25,4 1.00	52,4 2.06	85,7 3.38	48,2 1.90	143 5.63	160 6.29	4,4 .17	24,6 .97

Units of Measure: Top - mm, Bottom - inches

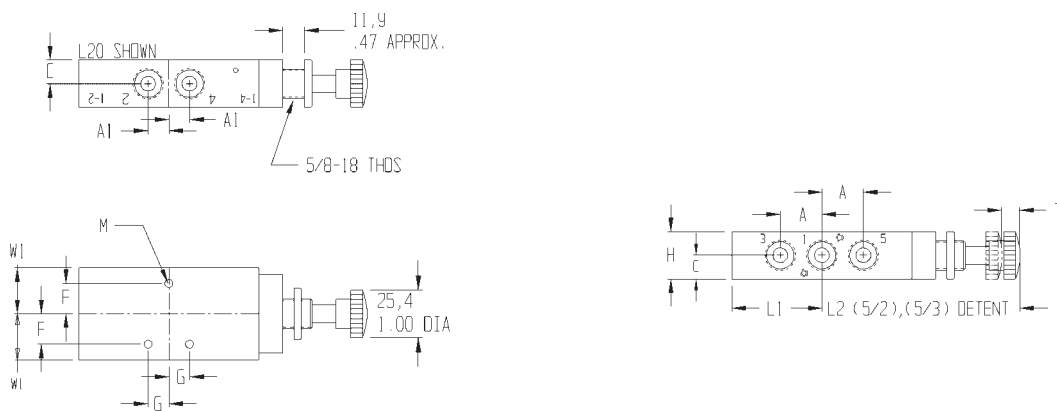


# DIMENSIONAL INFORMATION

## HAND LEVER

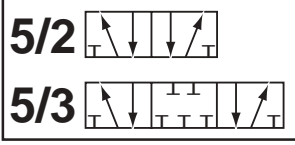


## PALM BUTTON



SERIES	A	A1	C	F	G	H	H1	H2	L1	L2	L3	M	T	W
<b>L20</b>	22,2 .88	11,1 .44	12,7 .50	16,1 .64	10,9 .43	25,4 1.00	136 5.35	140 5.50	48,2 1.90	105 4.14	105 4.14	4,4 .17	9,5 .38	24,6 .97

Units of Measure: Top - mm, Bottom - inches



# MANIFOLDS



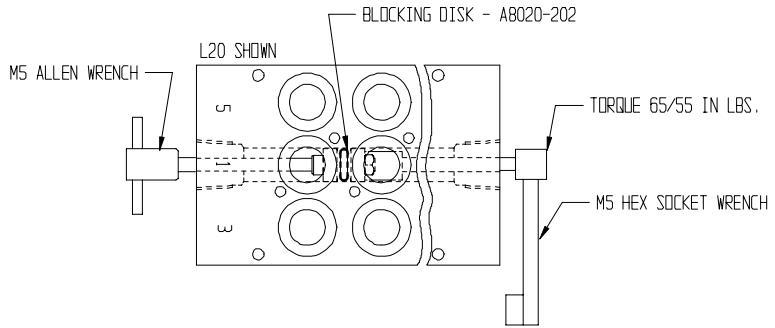
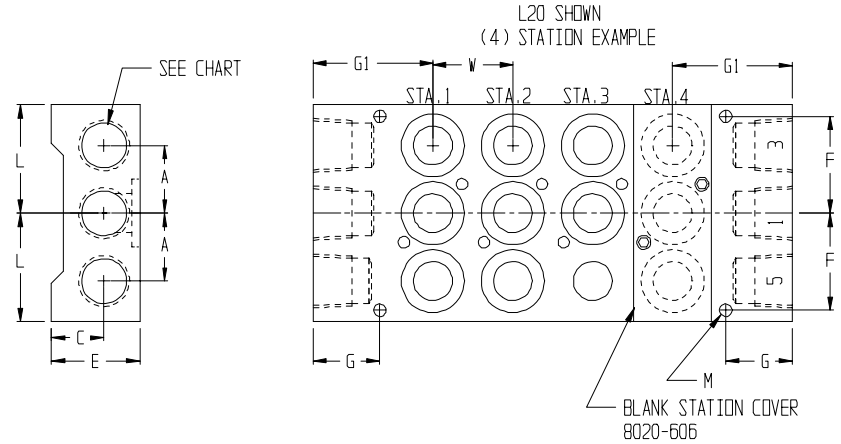
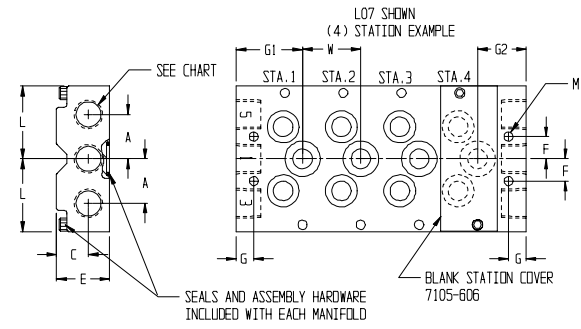
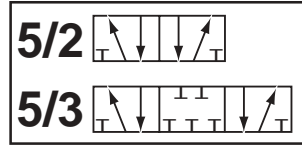
### FEATURES

- Common inlet and common exhaust ports.
- Top cylinder ports.
- Valve mounting screws attached from bottom.
- Seals and mounting hardware included.

SERIES	MANIFOLD*				ACCESSORIES	
	NO. OF STATIONS	MODEL NUMBER	PORTS 3, 1, & 5	WGT Kg (LB)	BLOCKING DISK	BLANK STATION COVER
L07	2	A7105-002	1/4	0,2 (.5)	A7105-202	7105-606
	4	A7105-004		0,4 (.9)		
	6	A7105-006		0,6 (1.2)		
	8	A7105-008		0,7 (1.6)		
	10	A7105-010		0,9 (2.0)		
L20	2	A8020-002	3/8	0,4 (.8)	A8020-202	8020-606
	4	A8020-004		0,6 (.3)		
	6	A8020-006		0,8 (.7)		
	8	A8020-008		0,0 (2.2)		
	10	A8020-010		0,2 (2.7)		

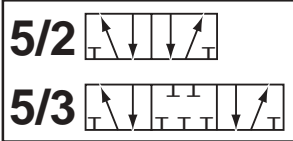
\*Seals and mounting hardware included.

# DIMENSIONAL INFORMATION



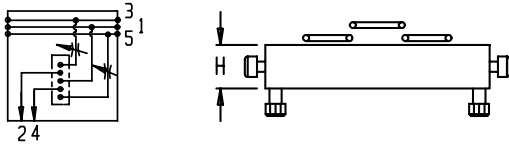
SERIES	A	C	E	F	G	G1	G2	L	M	W
L07	19,8 .78	14,3 .56	23,8 .94	9,9 .39	7,9 .31	29,7 1.17	22,2 .86	32,4 1.28	3,7 .15	26,2 1.03
L20	22,2 .88	17,3 .68	31,8 1.25	31,8 1.25	21,8 .86	39,3 1.55	39,3 1.55	35,6 1.40	3,7 .15	26,2 1.03

Units of Measure: Top - mm, Bottom - inches



## ACCESSORIES

### SANDWICH FLOW CONTROL



SERIES	MODEL NUMBER	DIMENSION H	WGT Kg (LB)
L07	B7106-005	12,7 .50	0,06 (.14)
L20	B8022-005	12,7 .50	0,09 (.19)

Units of Measure: Top - mm, Bottom - inches

### FEATURES

- Restricts air flow from port 2 to port 3 and from port 4 to port 5.
- Mounts between valve and manifold.
- Vibration proof metering control.

## OPTIONS

(LISTED AT THE END OF THE MODEL NUMBER IN ALPHA-NUMERIC ORDER)

### A - FLUOROELASTOMER SEALS

For applications where fluid media or ambient conditions are not compatible with nitrile seals. Note: Fluorocarbon seals do not increase the effective temperature range of the valve. For high temperature applications, consult the factory.

### B - EXTERNAL PILOT

For solenoid applications when the pressure to port 1 is less than 35 PSIG (2 BAR). See example below for field conversion.

#### FIELD CONVERSION

- Remove solenoid and cap from valve body.
- Rotate gasket 180 degrees so that the internal pilot hole in the valve body is covered by the gasket.
- Reassemble the gasket, cap and solenoid to the valve body. Make sure gasket completely covers internal pilot hole before tightening screws.
- Remove the 1/8 NPTF pipe plug from the cap and make the external pilot connection.

### C - CONDUIT COIL

Refer to Electrical Section for details.

### CT - CONDUIT COIL HIGH TEMPERATURE

Refer to Electrical Section for details.

### D - DUSTPROOF

For applications in extremely dusty and contaminated environments. Standard vent ports are plugged. Operators breathe through the exhaust ports via flats on the end of the spools.

### G - COIL WITH 18" FLYING LEADS

Refer to Electrical Section for details.

### L - LOW WATT COIL

Refer to Electrical Section for details.

### S - STAINLESS STEEL

Stainless steel body, all other external parts corrosive resistant; for corrosive environment applications.

### SS - 316 STAINLESS STEEL

Stainless steel body, all other external parts corrosive resistant; for corrosive environment applications.

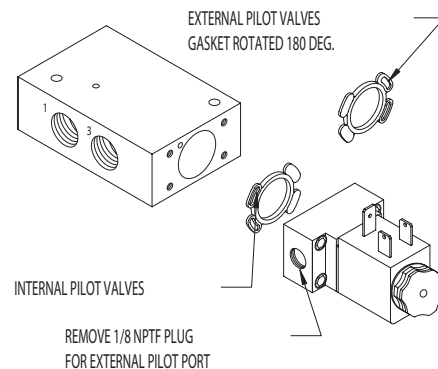
### W - G THREADS

### Y - EXPLOSION-PROOF COIL (CSA,FM)

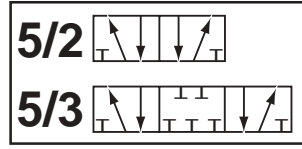
Refer to Electrical Section for details.

### Z - EXPLOSION-PROOF COIL (ATEX, PTB)

Refer to Electrical Section for details.







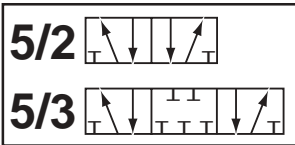
# ELECTRICAL INFORMATION

DESCRIPTION		WHEN THE 8TH CHARACTER OF MODEL NUMBER IS:	INSTRUCTIONS	COIL PART NUMBER ** = VOLTAGE
NEMA 4X WITH DIN 43650 CONNECTION		W	Order coil separately (specify voltage code from below)	7019-9**
NEMA 4X WITH 18" LEADS		W	Order coil separately (specify voltage code from below)	7019-9**G
NEMA 4X 1/2" CONDUIT WITH 30" LEADS		W	Order coil separately (specify voltage code from below)	7019-9**C 7019-9**CT (high temperature 82°C maximum)
EXPLOSION-PROOF 1/2" CONDUIT WITH 24" LEADS [ CSA 202633X FM APPROVED CL. I; ZONE1Ex m II T4; AEx m II CL. I; Div. 1; GR. A, B, C, D CL. II; GR. E, F, G CL. III T4 Ta= -20°C to +60°C NEMA: 4, 4X, 7C, 7D ]		W	Order coil separately (specify voltage code from below)	7019-9**Y
INTRINSICALLY-SAFE WITH STRAIN RELIEF (EEx ia IIC T6) CL. I; Div. 1; GR. A, B, C, D CL. II; GR. E, F, G CL. III; Div. 1 Hazardous Location		V	Coil and Connector included with valve (24VDC only)	A7106-374
EXPLOSION-PROOF WITH 3m CABLE AND STRAIN RELIEF [MEETS EUROPE ATEX STANDARDS] (Ex II 2G EExm II T - 5 I EC Exm II T-5 PTB NO 03 2018x)		Z	Order coil separately (specify voltage code from below)	7152-9**

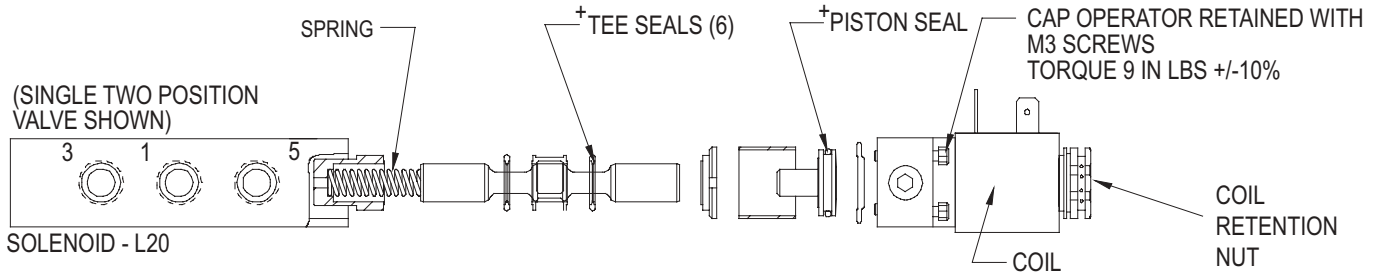
VOLTAGE +/- 10 %	** C O D E	CURRENT (AMPS)						RESISTANCE (OHMS @ 25° C)			POWER (AC = VA DC = WATTS)				
		INRUSH			HOLDING										
		W		Z	W		Z								
		NEMA	V	Z	NEMA	V	Z	NEMA	V	Z	NEMA	V	Z		
22/50 24/60	DA	.40	.55	-	.40	.32	-	31	19	-	4.8	4.5	-		
110/50 120/60	AA	.08	.096	-	.06	.054	-.029	840	530	-	1164	4.8	6.5	-	3.0
220/50 240/60	AB	.04	.048	-	.03	.027	-.015	3400	2345	-	6730	6.0	6.5	-	3.0
12 VDC	DA	.40	-	-	.40	.375	-.267	31	32	-	45	4.8	7	-	3.5
24 VDC	DB	.20	-	.03	.136	.187	-.03	121	128	275	177	4.8	-	2.1	3.5
24 VDC	DBL	-	-	-	-	-	-	320	-	-	-	1.8	4.5	-	-
125 VDC	AB	.04	-	-	.04	.06	-	3400	2000	-	-	4.8	7	-	-

For alternative lower wattage options, please consult the factory.

DIN 43650 CONNECTORS						
TYPE	STRAIN RELIEF WITHOUT CORD	1/2" CONDUIT WITHOUT CORD	MOLDED WITH 6' CORD	STRAIN RELIEF WITH LIGHT		STRAIN RELIEF WITH LIGHT + 6' CORD
PART NUMBER	7020-001	7039-001	7020-006	100-240 AC 48-120 DC	6-48 AC/DC	100-240 AC 48-120 DC 6-48 AC/DC
				7020-AA	7020-DB	7094-006 7094-007



# SERVICE KIT INFORMATION



## SERVICE KIT INSTALLATION

1. Remove Coil retention nut.
2. Remove Coil.
3. Remove screws from cap of operator.
4. Remove cap.
5. Remove existing serviceable components.
6. Replace with kit components. **+All seals must be lubricated with Magnalube-G or equivalent.**
7. Align pilot hole in body with pilot hole in cap.
8. Torque screws as shown above.

Lubrication of Automatic Valve products is not required but is recommended to maximize service life. Oils should be compatible with seal material, have an ISO 32 or lighter viscosity, and have an aniline point between 82°C (180°F) and 99°C (210°F). Refer to Maintenance section of catalog for recommended lubricants.

## MODEL NUMBERS

SERIES	FUNCTION			
	SINGLE		DOUBLE	
	PART NUMBER	DESCRIPTION	PART NUMBER	DESCRIPTION
L07	K-L07-SGL	Tee Seals (6)	K-L07-DBL	Tee Seals (6)
	K-L07-SGL-A (Fluoroelastomer)	Piston Seal (1) Spring (1)	K-L07-DBL-A (Fluoroelastomer)	Piston Seal (2)
L20	K-L20-SGL	Tee Seals (6)	K-L20-DBL	Tee Seals (6)
	K-L20-SGL-A (Fluoroelastomer)	Piston Seal (1) Spring (1)	K-L20-DBL-A (Fluoroelastomer)	Piston Seal (2)
L65	K-L65-SGL	Tee Seals (6)	K-L65-DBL	Tee Seals (6)
	K-L65-SGL-A (Fluoroelastomer)	Piston Seal (1) Spring (1)	K-L65-DBL-A (Fluoroelastomer)	Piston Seal (2)